

# ALUMINUM FRAME

**SIFATechnology**

Superior  
Integration in  
Filter  
Assembly

Extruded Oxide Aluminium Profiles 6060 T5 for laminar filter frames



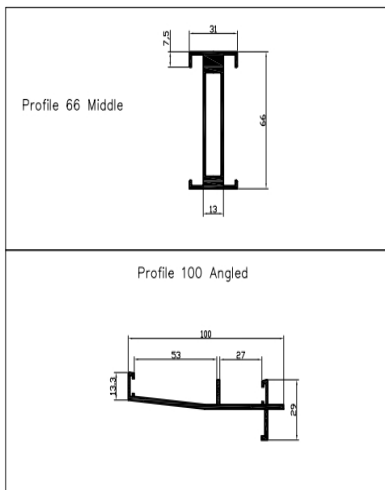
SIFA offers a wide range of articles dedicated to match the most demanding requirements in the indoor sector.

This industry requires high standard of air purification efficiency obtainable only with quality materials and manufactures, quality that SIFA offers in its products for OEM and OES solutions.

Production under quality regulation ISO 755-9.



<p>Profile 30 Single Gasket</p>	<p>Profile 66 Double Gasket</p>	<p>Profile 66 Blade</p>
<p>Profile 68 Single Gasket</p>	<p>Profile 90 Double Gasket</p>	<p>Profile 68 gel seal</p>
<p>Profile 78 Single Gasket</p>	<p>Profile 151 Double Gasket DH</p>	<p>Profile 73 Liquid Seal</p>
<p>Profile 88 Single Gasket</p>		<p>Profile 80 Liquid Seal</p>
<p>Profile 117 Single Gasket</p>		<p>Profile 88 gel seal</p>
<p>Profile 151 Single Gasket</p>		<p>Profile 102 Liquid Seal</p>
<p>Profile 151 Double Housing</p>		<p>Profile 109 Blade</p>
		<p>Profile 110 Blade</p>



UM [ mm ]

